

PRODUCT No.	PICK-UP CAP	CONTACT PLATING	SOLDER BALL
55714-002	YES	15u" (.38um) Au OVER Ni	SnPb
55714-002LF			SnAgCu LEAD FREE ④⑤
55714-102	YES	30u" (.76um) Au OVER Ni	SnPb
55714-102LF			SnAgCu LEAD FREE ④⑤
55714-202	YES	SEE NOTE 3	SnPb
55714-202LF			SnAgCu LEAD FREE ④⑤

NOTES:

① MAT'L

HOUSING: LCP  
CONTACT: COPPER ALLOY

PLATING

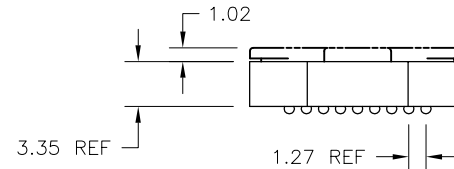
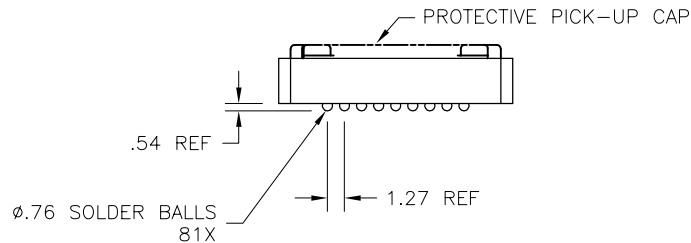
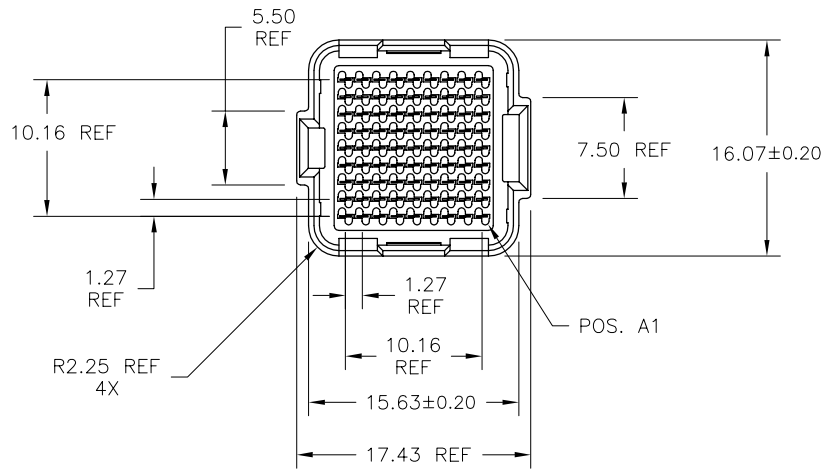
CONTACT: (SEE TABLE ON SHEET1)  
SOLDER BALL: (SEE TABLE ON SHEET1)  
EUTECTIC SnPb OR LEAD FREE  
95.5Sn/4Ag/0.5Cu

2. OVERALL BOARD-TO-BOARD STACK  
HEIGHT WHEN MATED TO P/N 55715  
81 POSITION 4.0mm RECP. IS 4.0mm REF.

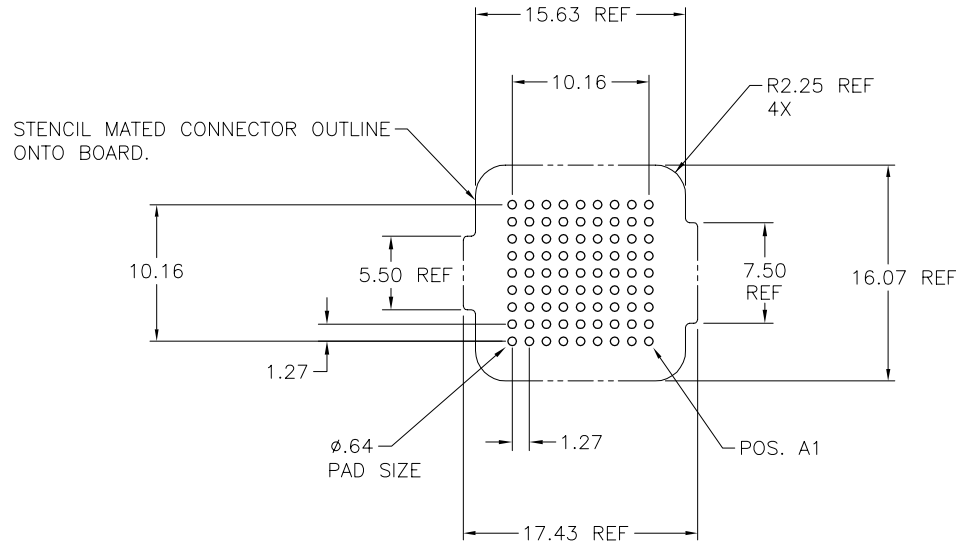
3. PLATING FOR -2XX SERIES DASH NOS. MEETS  
THE REQUIREMENTS OF NORTEL NPS25298-2  
(CENTRAL OFFICE ENVIRONMENT, 25 YEAR  
LIFE EXPECTANCY).

④ FOR PROPER APPLICATION FOLLOW FCI APPLICATION  
SPECIFICATION GS-20-033 LEAD FREE SOLDER BALLS WILL  
NOT SOLDER PROPERLY IN A LEADED SOLDER PROCESS  
DUE TO A HIGHER REFLOW TEMPERATURE. LEAD FREE  
PRODUCT IS THEREFORE NOT BACKWARDS COMPATIBLE WITH  
LEADED OR SOME SOLDERING APPLICATIONS. REFERENCE  
FCI APPLICATION SPECIFICATION

⑤ THIS PRODUCT MEETS EUROPEAN UNION DIRECTIVES AND  
OTHER COUNTRY REGULATIONS AS DESCRIBED IN GS-22-008  
PRODUCT MEETING THIS DIRECTIVE IS IDENTIFIED IN THE LOT  
CODE NUMBER MARKED ON EACH PART BY HAVING AN "X"  
IN THE SEVENTH CHARACTER POSITION

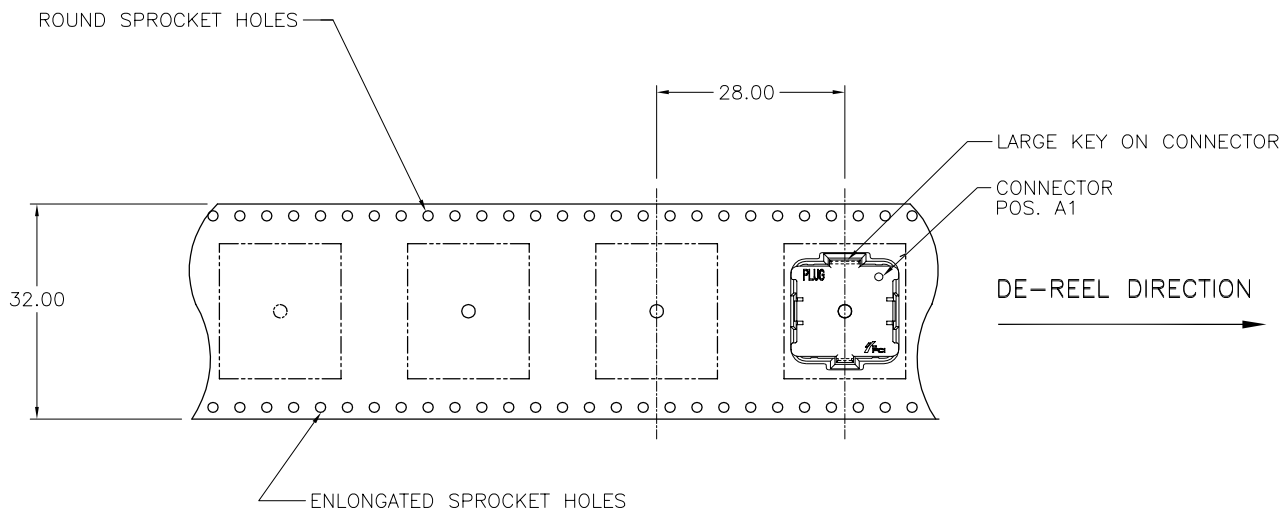


mat'l. code		surface		tolerance		projection		product family	
-		ASME Y14.5 ✓		ASME Y14.5				MEG-Array	
ltr	ec'n no	dr	date	tolerances unless otherwise specified					
A	v20800	DAI	4-24-02	angles				title	
B	v20949	DAI	8-15-02				0mm PLUG ASSY.		
C	v03-0678	DAI	06/18/03	0° ±2'			9X9 = 81 POSITION		
D	v04-0940	VS	10/09/04	dr	D.WAUGHEN	4-9-01	scale 1:1		
E	v06-0560	LP	2006/07/14	engr	J.KONTOS	4-9-01			
				chr	J.KONTOS	4-9-01	dwg no		
				appd	J.KONTOS	4-9-01	sheet 1 of 3		
sheet index		revision sheet	E 1	E 2	E 3			size	
								A4	
								type	
								CUSTOMER Drawing	



BOARD PATTERN

mat'l. code		-		surface		ASME Y14.5 ✓		tolerance		ASME Y14.5		projection		product family		MEG-Array	
ltr	ecr no	dr	date	tolerances unless otherwise specified								MM		title			
E				angles			X ±3							0mm PLUG ASSY.			
				0° ±2'			XX ±10					scale 1:1		9X9 = 81 POSITION			
				dr	D.WAUGHEN	4-9-01						FCI		dwg no		sheet 2 of 3	
				enr	J.KONTOS	4-9-01								55714		size	
				chr	J.KONTOS	4-9-01										A4	
				appd	J.KONTOS	4-9-01										type	
sheet index		revision sheet															



A

A

B

B

mat'l. code		-		surface		ASME Y14.5 ✓		tolerance		ASME Y14.5		projection		product family	
litr		ecn no		dr		date		tolerances unless otherwise specified				MM		MEG-Array	
E								angles		.X ±3				title	
								0° ±2'		.XX ±10		scale		0mm PLUG ASSY. 9X9 = 81 POSITION	
								dr		D.WAUGHEN		4-9-01		sheet 3 of 3	
								enr		J.KONTOS		4-9-01		size	
								chr		J.KONTOS		4-9-01		A4	
								appd		J.KONTOS		4-9-01		type	
sheet index		revision sheet												CUSTOMER Drawing	